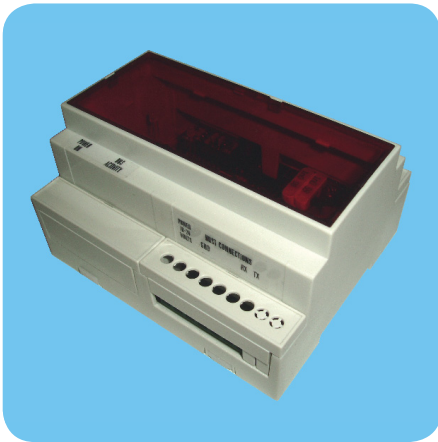


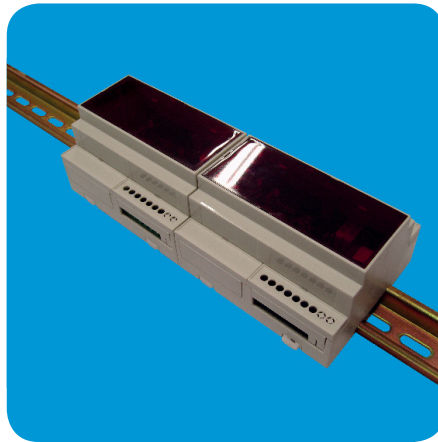
# Mini CIU



RS-232 to Bi-Phase Mark converter used to interface a PC to any device that communicates using the Bi-Phase Mark protocol



Mini CIU



Mini CIU, DIN rail



VTW

## Overview

The Mini CIU is a compact convertor that allows communication between a host PC and Enraf GPU gauges.

The unit is controlled through the host RS-232 serial port. The field connections are galvanically isolated from the serial and power connections.

A host supervisory system such as VTW would connect to the Mini CIU through a standard RS-232 port and would communicate directly with the gauges via the Mini CIU.

The number of gauges that can be connected to the BPM port is dependent on the quality and length of field cable. Typically, 10-15 gauges can be connected and for larger sites multiple Mini CIUs can be used.

The Communication to the Mini CIU is achieved by using 1200 or 2400 baud.

The Mini CIU has LEDs for the following:

- Power on indication.
- Transmit / Receive activity on the serial interface.
- Fieldbus activity.

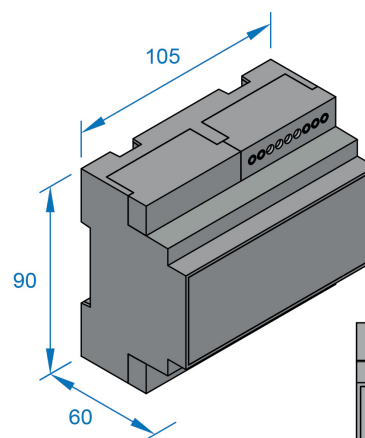
The Mini CIU can be used in any process application where it is necessary to interface with Honeywell Enraf gauges.

The Mini CIU is available in a DIN rail mounting enclosure and is powered from a 10-24v ac or dc supply. The device is designed for installation into a safe area.

## Technical specifications:

Power supply:	10-24 Vac / Vdc
Power consumption:	8 watts maximum
IP rating:	IP40
Weight:	0.5 kg
Approvals:	CE

## External dimensions:



+44 1748 828820

[www.mht-technology.co.uk](http://www.mht-technology.co.uk)

[sales@mht-technology.co.uk](mailto:sales@mht-technology.co.uk)